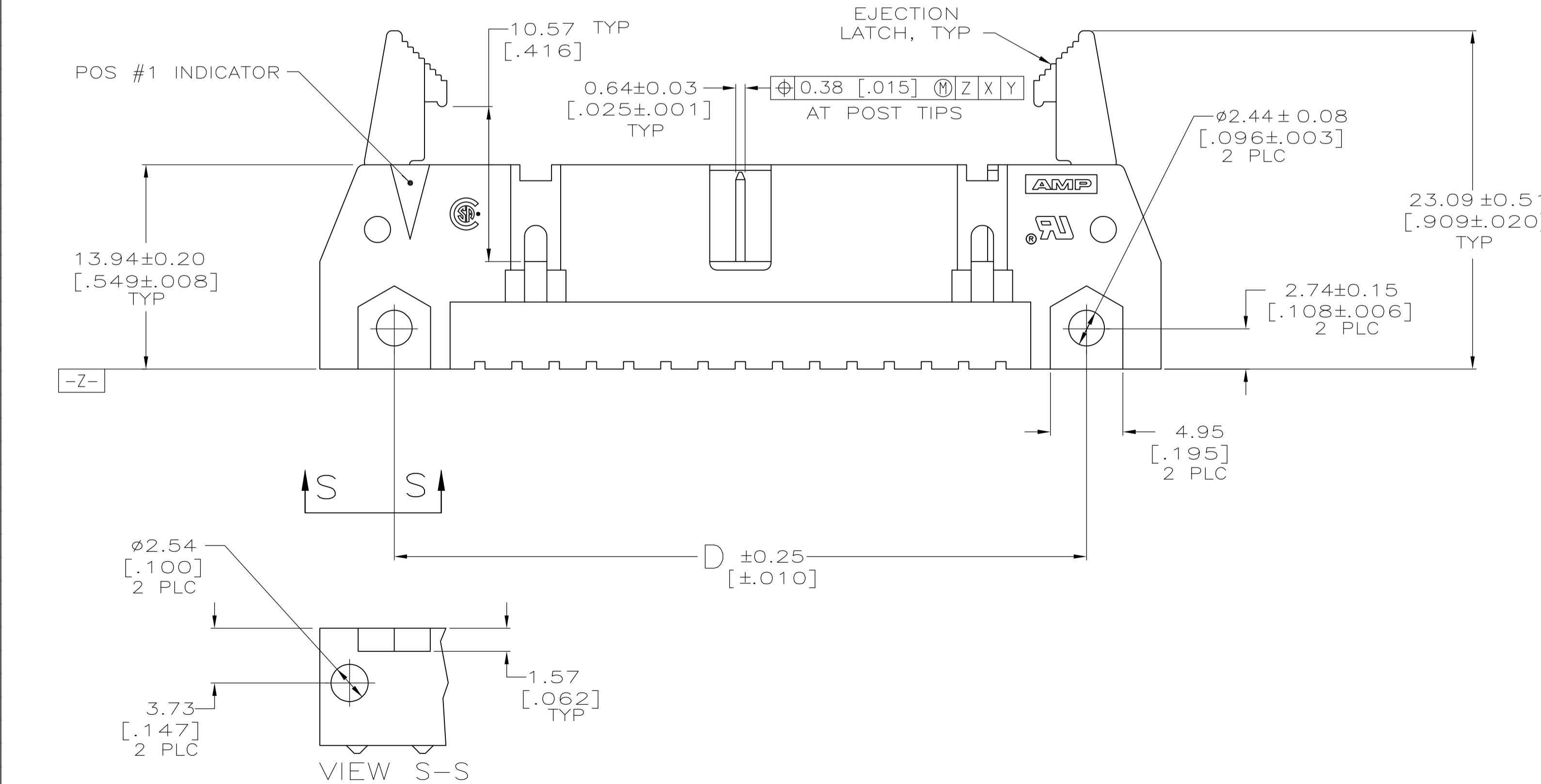
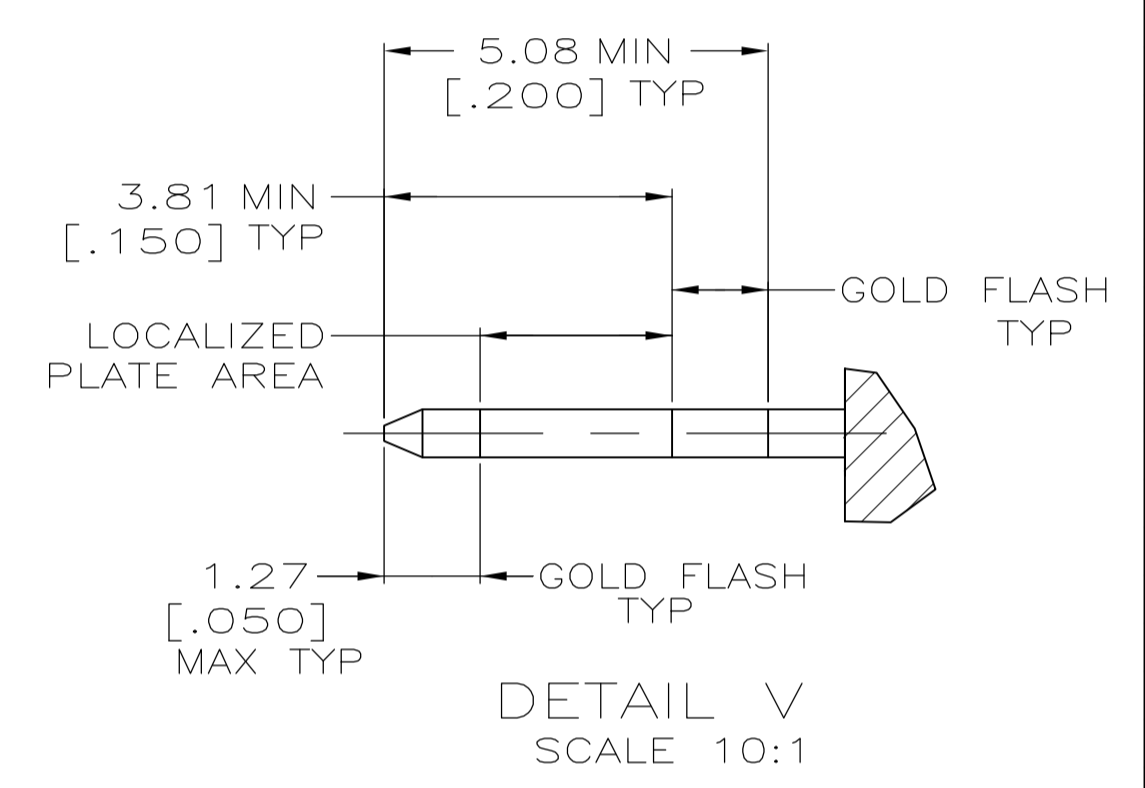
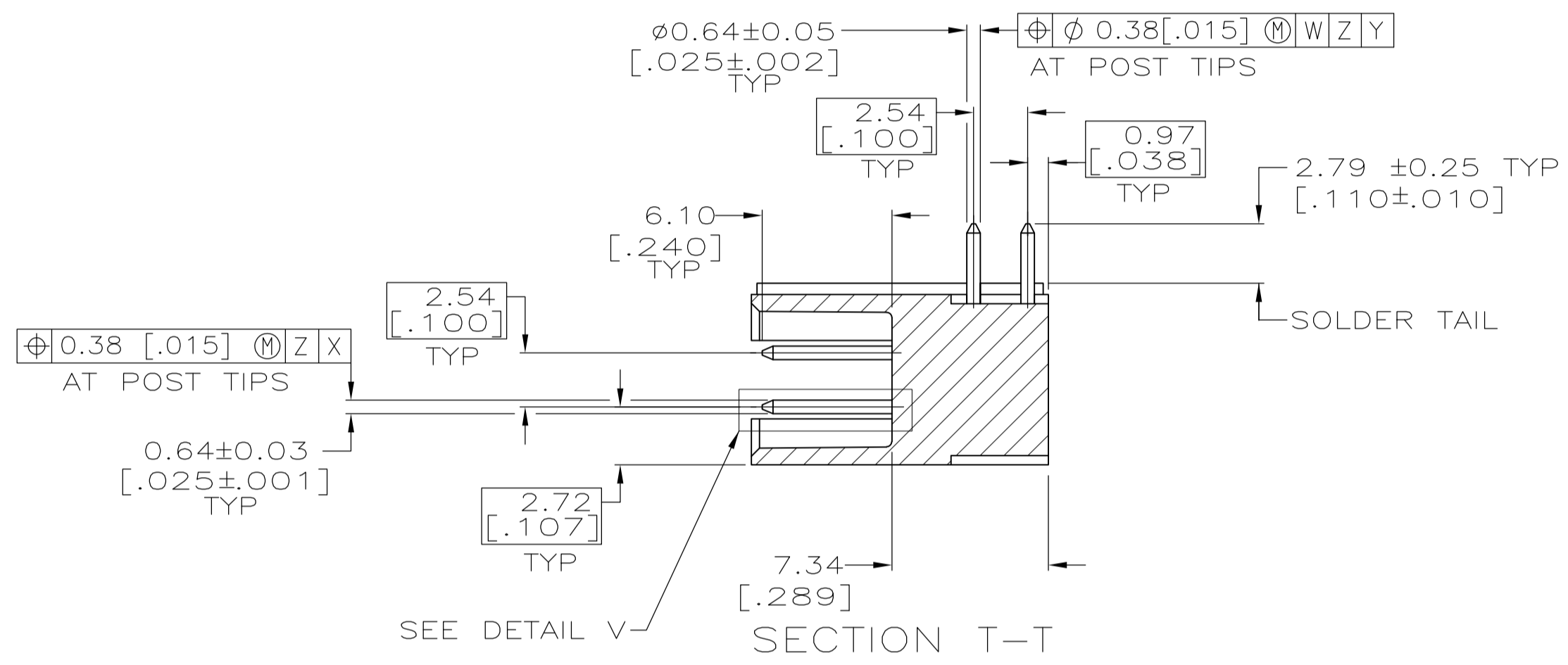
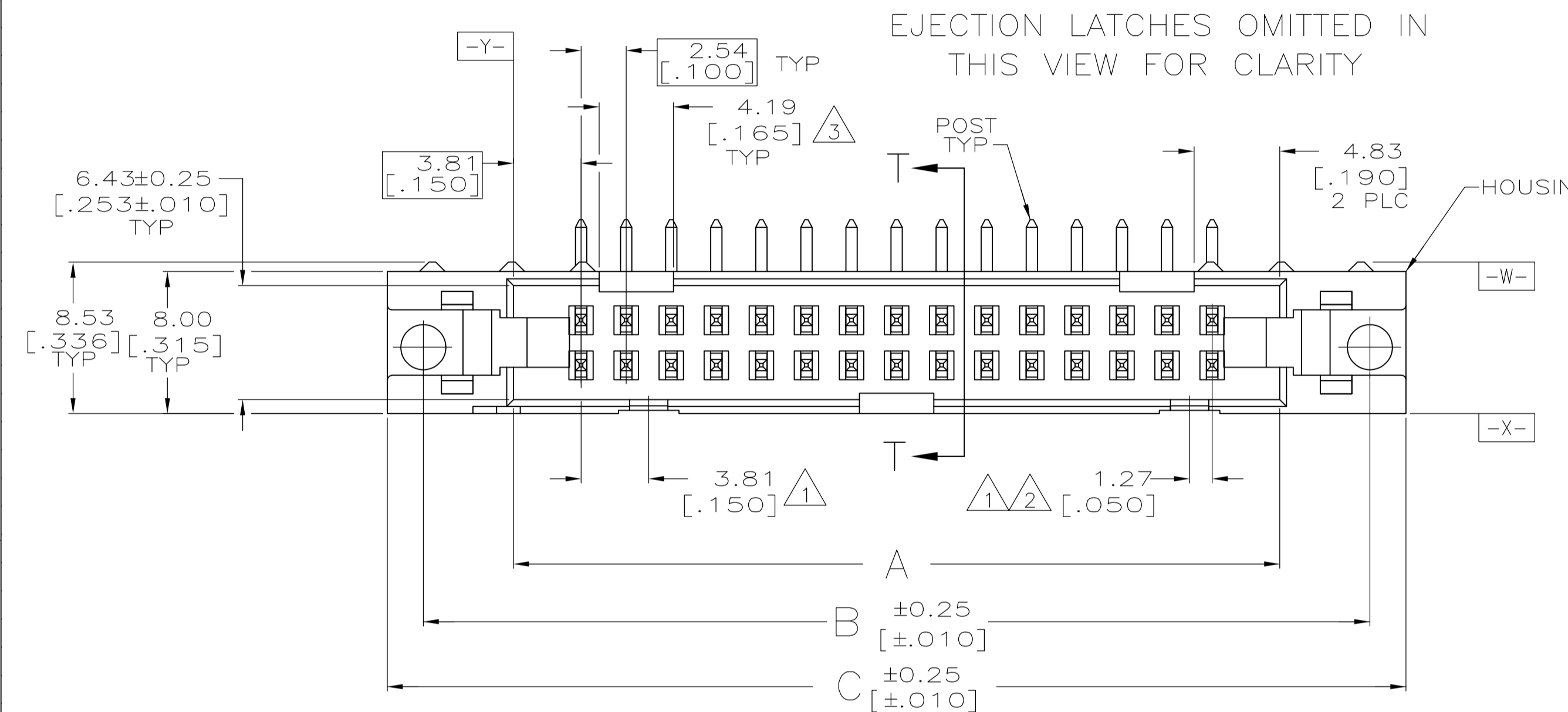


- 1 COORDINATE DIMENSION APPLIES FROM BASIC LOCATION.
- 2 10 AND 14 POSITION SIZES CONTAIN ONLY ONE SLOT FOR SNAP-IN POLARIZER (MILITARY POLARIZATION). LOCATED AS SHOWN.
- 3 10 POSITION SIZES CONTAIN ONLY ONE SLOT FOR DUAL POLARIZATION, LOCATED AS SHOWN.
- 4 RECOMMENDED PRINTED CIRCUIT BOARD THICKNESS IS 1.57 [.062].
- 5 DISTANCE REQUIRED BY EJECTION LATCHES IN THE OPEN POSITION.
- 6 HOUSING & LATCHES: GLASS FILLED NYLON OR POLYESTER, UL94V-0 RATED, BLACK. POSTS: BRASS.
- 7 POSTS: GOLD FLASH OVER PALLADIUM-NICKEL PLATE, 0.38μm[.000015] MIN TOTAL ON THE LOCALIZED PLATE AREA, 2.54μm[.000100] MIN TIN PLATE ON THE SOLDER-TAILS, 1.27μm[.000050] MIN NICKEL UNDERPLATE ON THE ENTIRE POST.
-OR-
0.38μm[.000015] MIN GOLD PLATE ON THE LOCALIZED PLATE AREA, 2.54μm[.000100] MIN TIN PLATE ON THE SOLDER-TAILS, 1.27μm[.000050] MIN NICKEL UNDERPLATE ON THE ENTIRE POST.
- 8 DATUMS -M- & -N- TO BE ESTABLISHED BY CUSTOMER.



| | | | | | | | | |
|----------|------------------|------------------|------------------|-------------------|------------------|------------------|------------|-------------|
| OBSOLETE | 78.74 [3.100] | 90.42 [3.560] | 90.42 [3.560] | 100.58 [3.960] | 96.52 [3.800] | 86.36 [3.400] | 64 | 1-5499913-2 |
| | 73.66 [2.900] | 85.34 [3.360] | 85.34 [3.360] | 95.50 [3.760] | 91.44 [3.600] | 81.28 [3.200] | 60 | 1-5499913-1 |
| | 60.96 [2.400] | 72.64 [2.860] | 72.64 [2.860] | 82.80 [3.260] | 78.74 [3.100] | 68.58 [2.700] | 50 | 1-5499913-0 |
| | 48.26 [1.900] | 59.94 [2.360] | 59.94 [2.360] | 70.10 [2.760] | 66.04 [2.600] | 55.88 [2.200] | 40 | 5499913-9 |
| | 40.64 [1.600] | 52.32 [2.060] | 52.32 [2.060] | 62.48 [2.460] | 58.42 [2.300] | 48.26 [1.900] | 34 | 5499913-8 |
| | 35.56 [1.400] | 47.24 [1.860] | 47.24 [1.860] | 57.40 [2.260] | 53.34 [2.100] | 43.18 [1.700] | 30 | 5499913-7 |
| | 30.48 [1.200] | 42.16 [1.660] | 42.16 [1.660] | 52.32 [2.060] | 48.26 [1.900] | 38.10 [1.500] | 26 | 5499913-6 |
| | 27.94 [1.100] | 39.62 [1.560] | 39.62 [1.560] | 49.78 [1.960] | 45.72 [1.800] | 35.56 [1.400] | 24 | 5499913-5 |
| | 22.86 [.900] | 34.54 [1.360] | 34.54 [1.360] | 44.70 [1.760] | 40.64 [1.600] | 30.48 [1.200] | 20 | 5499913-4 |
| | 17.78 [.700] | 29.46 [1.160] | 29.46 [1.160] | 39.62 [1.560] | 35.56 [1.400] | 25.40 [1.000] | 16 | 5499913-3 |
| | 15.24 [.600] | 26.92 [1.060] | 26.92 [1.060] | 37.08 [1.460] | 33.02 [1.300] | 22.86 [.900] | 14 | 5499913-2 |
| | 10.16 [.400] | 21.84 [.860] | 21.84 [.860] | 32.00 [1.260] | 27.94 [1.100] | 17.78 [.700] | 10 | 5499913-1 |
| | F | E | D | C | B | A | NO OF POSN | PART NUMBER |

THIS DRAWING IS A CONTROLLED DOCUMENT.

| | | | |
|-------------------------|--|--------------------------------------|---------------------|
| DIMENSIONS: mm (INCHES) | TOLERANCES UNLESS OTHERWISE SPECIFIED: | APPROVED: L. VARELA - DOCKS 01-11-05 | DATE: 01-11-05 |
| 0 PLC ± - | 1 PLC ± - | 2 PLC ± - | 3 PLC ± 0.13[.005] |
| 4 PLC ± - | ANGLES ± - | APPROVED: M. WALMSLEY 01-11-05 | NAME: M. WALMSLEY |
| MATERIAL: 6 | FINISH: 7 | PRODUCT SPEC: 108-40018 | APPLICATION SPEC: - |
| WEIGHT: - | SIZE: A1 | CAGE CODE: 00779 | DRAWING NO: 5499913 |
| CUSTOMER DRAWING | SCALE: 4:1 | SHEET: 1 OF 1 | REV: D1 |

STE TE Connectivity

HEADER ASSY, UNIVERSAL, AMP-LATCH